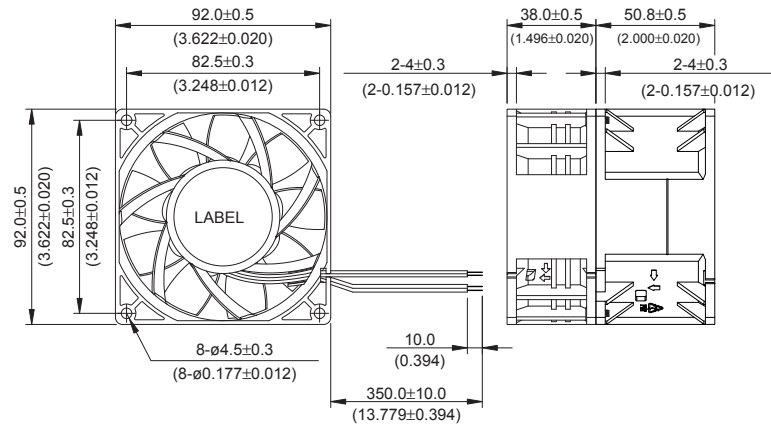


New



GFB 92 x 92 x 89 MM SERIES

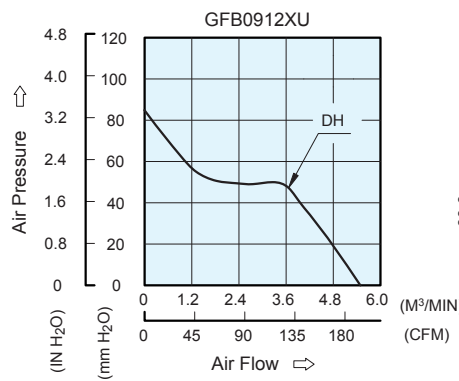
■ DIMENSIONS DRAWING



UNIT: mm
(INCH)

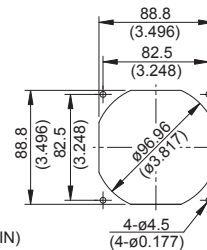
- * Bearing Type
Ball Bearings
- * Material
Impeller & Frame : Plastic (UL 94V-0)
- * Lead Wires :
UL 1061 AWG #24 OR Equivalent
Red And Orange Wire Positive (+)
Black And Brown Wire Negative(-)
- * Weight : 535g (18.87 OZ)

■ P & Q CURVE (AT RATED VOLTAGE)

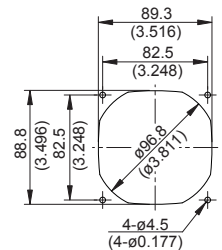


■ MOUNTING PANEL CUTOUT

OUTLET SIDE



INLET SIDE



UNIT: mm
(INCH)

MODEL		Rated Voltage	Operating Voltage Range	Input Current	Input Power	Speed (Front/Rear)	Maximum Air Flow		Maximum Air Pressure		Noise
PART NO.	FUNCTION	VDC	VDC	Amp	Watt	R.P.M.	m ³ /min	CFM	mmH ₂ O	IN H ₂ O	dB-A
GRB0912DHU	-R00 / -F00	12	7.0 to 13.2	6.60	79.20	8000/8000	5.490	193.05	85.19	3.35	73.4

- * Function type is optional.
- * The max. air flow and the speed are measured in free air ; max. air pressure is measured at zero air flow.
- * Noise is measured in anechoic chamber in free air, one meter from intake side.
- * All readings are typical values at rated voltage.
- * Specifications are subject to change without notice.